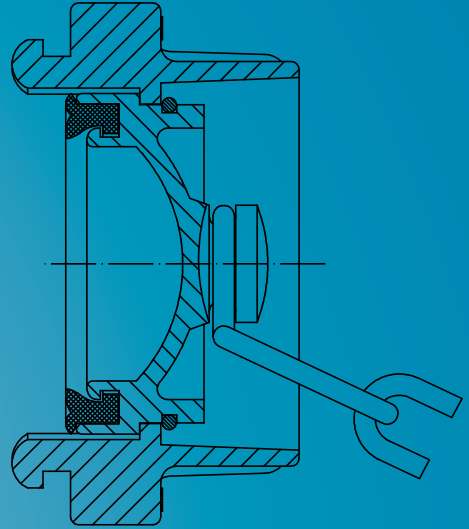
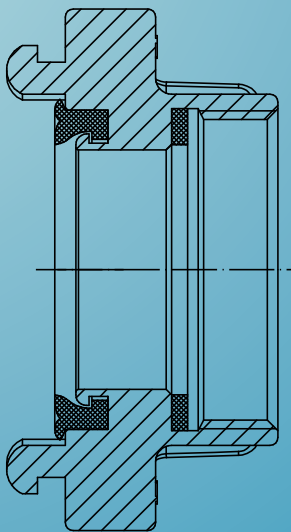


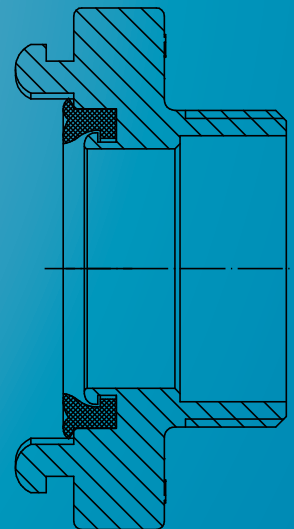
**SCHLAUCHTÜLLE
HOSE SHANK**



**BLINDKUPPLUNG
PLUG**



**FESTKUPPLUNG - IG
FEMALE THREAD**



**FESTKUPPLUNG - AG
MALE THREAD**

STORZ KUPPLUNGEN / STORZ COUPLINGS

Storz-Kupplung mit langem Stutzen (Saug/Druck) - (DIN geschmiedet) - NBR Dichtung

Storz coupling with serrated hose shank - (DIN) - NBR Gasket

Raccord Storz à douille annelée - Joint NBR

Acople Storz con espiga para manguera (forjado) - Junta NBR

Złącze strażackie STORZ z długą karbowaną końcówką do węża (ssawno/łoczna) - (DIN wykuty) - NBR Uszczelka

Raccordo Storz portagomma (DIN forgiato) - guarnizione in NBR



Part-No.	Material	WP	DN / KA	Shank	Price
ST25/25DINLST	Aluminum forged	16 bar	DN25(D)/31mm	DN25	
ST38/38DINLST	Aluminum forged	16 bar	DN38/51mm	DN38	
ST52/38DINLST	Aluminum forged	16 bar	DN52(C)/66mm	DN38	
ST52/52DINLST	Aluminum forged	16 bar	DN52(C)/66mm	DN52	
ST65/25DINLST	Aluminum forged	16 bar	DN65/81mm	DN25	
ST65/32DINLST	Aluminum forged	16 bar	DN65/81mm	DN32	
ST65/38DINLST	Aluminum forged	16 bar	DN65/81mm	DN38	
ST65/52DINLST	Aluminum forged	16 bar	DN65/81mm	DN52	
ST65/63DINLST	Aluminum forged	16 bar	DN65/81mm	DN63	
ST75/75DINLST	Aluminum forged	16 bar	DN75(B)/89mm	DN75	
ST100/100DINLST	Aluminum forged	16 bar	DN100/115mm	DN100	
ST110/100DINLST	Aluminum forged	16 bar	DN110(A)/133mm	DN100	
ST125/125DINLST	Aluminum forged	16 bar	DN125/148mm	DN125	
ST150/150DINLST	Aluminum forged	16 bar	DN150/160mm	DN150	

NEW

Storz-Kupplung mit glattem Stutzen für Klemmschaleneinband - (DIN geschmiedet) - NBR Dichtung

Storz coupling with smooth hose shank for safety clamps - (DIN) - NBR Gasket

Raccord Storz à douille lisse et collerette - Joint NBR

Acople Storz con espiga lisa para abrazaderas de seguridad - (forjado) - Junta NBR

Złącze strażackie STORZ z gładką końcówką do węża pod obejmę skorupową (DIN wykuty) - NBR Uszczelka

Raccordo Storz portagomma liscio (DIN forgiato) - Guarnizione NBR



Part-No.	Material	WP	DN / KA	Shank	Price
ST52/50DINLSTG	Aluminum forged	16 bar	DN52(C)/66mm	DN50	
ST75/75DINLSTG	Aluminum forged	16 bar	DN75(B)/89mm	DN75	
ST110/100DINLSTG	Aluminum forged	16 bar	DN110(A)/133mm	DN100	

Storz-Kupplung mit Sägezahnprofilstutzen für Klemmschaleneinband - (DIN geschmiedet) - NBR Dichtung

Storz coupling with serrated hose shank for safety clamps - (DIN) - NBR Gasket

Raccord Storz à douille annelée - Joint NBR

Acople Storz con espiga dentada para abrazaderas de seguridad - (forjado) - Junta NBR

Złącze strażackie STORZ z karbowaną końcówką do węża pod obejmę skorupową (DIN wykuty) - NBR Uszczelka

Raccordo Storz portagomma (DIN forgiato) - Guarnizione NBR

Part-No.	Material	WP	DN / KA	Shank	Price
ST52/52DINLST-SZ	Aluminum forged	16 bar	DN52(C)/66mm	DN50	
ST75/75DINLST-SZ	Aluminum forged	16 bar	DN75(B)/89mm	DN75	
ST110/100DINLST-SZ	Aluminum forged	16 bar	DN110(A)/133mm	DN100	



Storz-Kupplung mit Sägezahnprofilstutzen ohne Sicherungsbund - (DIN geschmiedet) - NBR Dichtung

Storz coupling with serrated hose shank - (DIN) - NBR Gasket

Raccord Storz à douille annelée - Joint NBR

Acople Storz con espiga dentada - (forjado) - Junta NBR

Złącze strażackie STORZ z karbowaną końcówką do węża (DIN wykuty) - NBR Uszczelka

Raccordo Storz portagomma (DIN forgiato) - Guarnizione NBR

Part-No.	Material	WP	DN / KA	Shank	Price
ST52/52DINLST-SZO	Aluminum forged	16 bar	DN52(C)/66mm	DN50	NEW
ST75/75DINLST-SZO	Aluminum forged	16 bar	DN75(B)/89mm	DN75	
ST100/100DINLST-SZO	Aluminum forged	16 bar	DN100/115mm	DN100	
ST110/100DINLST-SZO	Aluminum forged	16 bar	DN110(A)/133mm	DN100	



Storz-Kupplung mit Sägezahnprofilstutzen (aus Stahl) für Klemmschaleneinband - (DIN geschmiedet) - NBR Dichtung

Storz coupling with serrated hose shank for safety clamps - (DIN) - NBR Gasket

Raccord Storz à douille annelée - Joint NBR

Acople Storz con espiga para manguera en acero y acople en aluminio (forjado) - Junta NBR

Złącze strażackie STORZ z karbowaną końcówką do węża pod obejmę skorupową (DIN wykuty) - NBR Uszczelka

Raccordo Storz con portagomma in acciaio ed accoppiamento in alluminio (DIN forgiato) - Guarnizione NBR

Part-No.	Material	WP	DN / KA	Shank	Price
ST52/52DINLST-ACSZ	Coupling AL forged Shank Steel	16 bar	DN52(C)/66mm	DN50	
ST75/75DINLST-ACSZ	Coupling AL forged Shank Steel	16 bar	DN75(B)/89mm	DN75	
ST110/100DINLST-ACSZ	Coupling AL forged Shank Steel	16 bar	DN110(A)/133mm	DN100	



STORZ KUPPLUNGEN / STORZ COUPLINGS

Storz Kupplung mit Hebelarretierung, abschließbar - (DIN geschmiedet) - NBR Dichtung

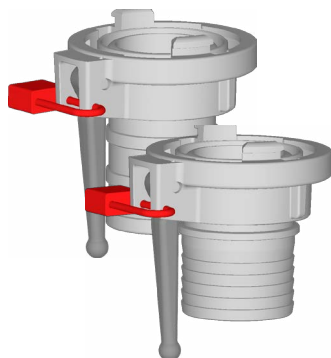
Storz coupling - Lockable with extra lock - (DIN) - NBR Gasket

Raccord Storz peut être verrouillé avec une serrure supplémentaire - Joint NBR

Acople Storz - Se puede cerrar con una cerradura adicional - (forjado) - Junta NBR

Złącze strażackie STORZ Zamykany na dodatkowy zamek (DIN wykuty) - NBR Uszczelka

Raccordo Storz - chiudibile con un lucchetto aggiuntivo (DIN forgiato) - Guarnizione NBR



Part-No.	Material	Description	WP	DN / KA	Price
ST75/75DINLST-H	Aluminum forged	with long Storz hose shank DN75	16 bar	DN75(B)/89mm	
ST75/75DINLST-SZH	Aluminum forged	with serrated DN75 hose shank with collar	16 bar	DN75(B)/89mm	

Vorhängeschloss für Storz Kupplung mit Hebelarretierung

Padlock

Cadenas

Candado

Kłódka z

Lucchetto



NEW

Part-No.	Material	Description	Price
LOCKSS	SS304	Padlock in SS304 with keys	
LOCKBR	Brass	Padlock in brass with keys	

Storz-Kupplung mit BSP Innengewinde (DIN geschmiedet) - NBR Dichtung

Storz coupling with female thread BSP - (DIN) - NBR Gasket

Raccord Storz taraudé femelle BSP - Joint NBR

Acople Storz con rosca hembra BSP - (forjado) - Junta NBR

Złącze strażackie STORZ z gwintem wewnętrznym BSP (DIN wykuty) - NBR Uszczelka

Raccordo Storz filettato femmina BSP - (DIN forgiato) - Guarnizione NBR



Part-No.	Material	WP	DN / KA	Thread	Price
ST25IG075DIN	Aluminum forged	16 bar	DN25(D)/31mm	3/4"	
ST25IG100DIN	Aluminum forged	16 bar	DN25(D)/31mm	1"	
ST38IG100DIN	Aluminum forged	16 bar	DN38/51mm	1"	
ST38IG150DIN	Aluminum forged	16 bar	DN38/51mm	1 1/2"	
ST52IG150DIN	Aluminum forged	16 bar	DN52(C)/66mm	1 1/2"	
ST52IG200DIN	Aluminum forged	16 bar	DN52(C)/66mm	2"	
ST65IG250DIN	Aluminum forged	16 bar	DN65/81mm	2 1/2"	
ST75IG200DIN	Aluminum forged	16 bar	DN75(B)/89mm	2"	
ST75IG250DIN	Aluminum forged	16 bar	DN75(B)/89mm	2 1/2"	
ST75IG300DIN	Aluminum forged	16 bar	DN75(B)/89mm	3"	
ST110IG400DIN	Aluminum forged	16 bar	DN110(A)/133mm	4"	
ST125IG500DIN	Aluminum forged	16 bar	DN125/148mm	5"	
ST150IG600DIN	Aluminum forged	16 bar	DN150/160mm	6"	

NEW



Storz-Kupplung mit drehbaren BSP Innengewinde (DIN geschmiedet) - NBR Dichtung

Storz coupling with swivel female thread BSP - (DIN) - NBR Gasket

Raccord Storz taraudé rotatif femelle BSP - Joint NBR

Acople Storz giratorio, rosca hembra BSP - (forjado) - Junta NBR

Złącze strażackie Storz z gwintem obrotowy wewnętrznym BSP (DIN wykuty) - NBR Uszczelka

Raccordo Storz girevole, filettato BSP femmina - (DIN forgiato) - Guarnizione NBR

Part-No.	Material	WP	DN / KA	Thread	Price
ST52IG200DIN-SW	Aluminum forged	16 bar	DN52(C)/66mm	2"	
ST75IG300DIN-SW	Aluminum forged	16 bar	DN75(B)/89mm	3"	
ST110IG400DIN-SW	Aluminum forged	16 bar	DN110(A)/133mm	4"	



Storz-Kupplung mit BSP Außengewinde (DIN geschmiedet) - NBR Dichtung

Storz coupling with male thread BSP - (DIN) - NBR Gasket

Raccord Storz fileté mâle BSP - Joint NBR

Acople Storz con rosca macho BSP - (forjado) - Junta NBR

Złącze strażackie STORZ z gwintem zewnętrznym BSP (DIN wykuty) - NBR Uszczelka

Raccordo Storz filettato maschio BSP - (DIN forgiato) - Guarnizione NBR

Part-No.	Material	WP	DN / KA	Thread	Price
ST25AG075DIN	Aluminum forged	16 bar	DN25(D)/31mm	3/4"	
ST25AG100DIN	Aluminum forged	16 bar	DN25(D)/31mm	1"	
ST38AG150DIN	Aluminum forged	16 bar	DN38/51mm	1 1/2"	
ST52AG150DIN	Aluminum forged	16 bar	DN52(C)/66mm	1 1/2"	
ST52AG200DIN	Aluminum forged	16 bar	DN52(C)/66mm	2"	
ST65AG250DIN	Aluminum forged	16 bar	DN65/81mm	2 1/2"	
ST75AG250DIN	Aluminum forged	16 bar	DN75(B)/89mm	2 1/2"	
ST75AG300DIN	Aluminum forged	16 bar	DN75(B)/89mm	3"	
ST110AG400DIN	Aluminum forged	16 bar	DN110(A)/133mm	4"	
ST125AG500DIN	Aluminum forged	16 bar	DN125/148mm	5"	
ST150AG600DIN	Aluminum forged	16 bar	DN150/160mm	6"	



NEW

STORZ KUPPLUNGEN / STORZ COUPLINGS

Storz-Kupplung mit drehbaren BSP Außengewinde (DIN geschmiedet) - NBR Dichtung

Storz coupling with swivel male thread BSP - (DIN) - NBR Gasket

Raccord Storz taraudé rotatif mâle BSP- Joint NBR

Acople Storz giratorio, rosca macho BSP - (forjado) - Junta NBR

Złącze strażackie STORZ z gwintem obrotowy zewnętrznym BSP (DIN wykuty) - NBR Uszczelka

Raccordo Storz girevole, filettato BSP maschio - (DIN forgiato) - Guarnizione NBR



NEW	Part-No.	Material	WP	DN / KA	Thread	Price
	ST52AG200DIN-SW	Aluminum forged	16 bar	DN52(C)/66mm	2"	
	ST75AG300DIN-SW	Aluminum forged	16 bar	DN75(B)/89mm	3"	
	ST110AG400DIN-SW	Aluminum forged	16 bar	DN110(A)/133mm	4"	

Storz-Blindkupplung mit Kette (DIN geschmiedet) - NBR Dichtung

Storz plug with chain - (DIN) - NBR Gasket

Bouchon Storz avec chaînette - Joint NBR

Tapón Storz con cadena - (forjado)- Junta NBR

Złącze strażackie STORZ zaślepka z łańcuszkiem (DIN wykuty) - NBR Uszczelka

Raccordo Storz. Tappo con catena - (DIN forgiato) - Guarnizione NBR



NEW	Part-No.	Material	WP	DN / KA	Price
	ST25DINBK	Aluminum forged	16 bar	DN25(D)/31mm	
	ST52DINBK	Aluminum forged	16 bar	DN52(C)/66mm	
	ST65DINBK	Aluminum forged	16 bar	DN65/81mm	
	ST75DINBK	Aluminum forged	16 bar	DN75(B)/89mm	
	ST110DINBK	Aluminum forged	16 bar	DN110(A)/133mm	
	ST125DINBK	Aluminum forged	16 bar	DN125/148mm	
	ST150DINBK	Aluminum forged	16 bar	DN150/160mm	

Storz-Kupplung (DIN geschmiedet) mit IBC Innengewinde - NBR Dichtung

Storz coupling - (DIN) with IBC female thread - NBR Gasket

Raccord Storz taraudé IBC femelle - Joint NBR

Acople Storz (forjado) con rosca hembra IBC - Junta NBR

Złącze strażackie STORZ (DIN wykuty) z IBC gwintem wewnętrznym - NBR Uszczelka

Raccordo Storz (DIN forgiato) filettato IBC femmina - Guarnizione NBR



NEW	Part-No.	Material	WP	DN / KA	IBC	Price
	ST52BCF60DIN	Aluminum forged	16 bar	DN52(C)/66mm	S60x6	



Storz-Kupplung mit Reduzierung (DIN geschmiedet) - NBR Dichtung

Storz reducer fixed - (DIN) - NBR Gasket

Réduction Storz fixe - Joint NBR

Reducción Storz - (forjado) - Junta NBR

Złącze stażackie STORZ redukcja (DIN wykuty) - NBR Uszczelka

Riduzione raccordo Storz (Din forgiato) - Guarnizione NBR

Part-No.	Material	WP	DN / KA	DN / KA	Price
ST52/25DINRED	Aluminum forged	16 bar	DN52(C)/66mm	DN25(D)/31mm	
ST75/52DINRED	Aluminum forged	16 bar	DN75(B)/89mm	DN52(C)/66mm	
ST75/65DINRED	Aluminum forged	16 bar	DN75(B)/89mm	DN65/81mm	
ST110/75DINRED	Aluminum forged	16 bar	DN110(A)/133mm	DN75(B)/89mm	



Storz-Kupplung mit langem Stutzen (Saug/Druck) - (Industrie-Ausführung - gegossen) NBR Dichtung

Storz coupling with serrated hose shank - (Industrial) - NBR Gasket

Raccord Storz à douille annelée - Joint NBR

Acople Storz con espiga para manguera (fundido) - Junta NBR

Złącze stażackie STORZ z długą karbowaną końcówką do węża (ssawno/łoczna) - (wykonanie przemysłowe - odlewane) - NBR Uszczelka

Raccordo Storz portagomma - Guarnizione NBR

Part-No.	Material	WP	DN / KA	Shank	Price
ST25/25LST	Aluminum cast	10 bar	DN25(D)/31mm	DN25	
ST38/38LST	Aluminum cast	10 bar	DN38/51mm	DN38	
ST52/32LST	Aluminum cast	10 bar	DN52(C)/66mm	DN40	
ST52/38LST	Aluminum cast	10 bar	DN52(C)/66mm	DN38	
ST52/45LST	Aluminum cast	10 bar	DN52(C)/66mm	DN45	
ST52/52LST	Aluminum cast	10 bar	DN52(C)/66mm	DN52	
ST65/25LST	Aluminum cast	10 bar	DN65/81mm	DN25	
ST65/32LST	Aluminum cast	10 bar	DN65/81mm	DN32	
ST65/38LST	Aluminum cast	10 bar	DN65/81mm	DN38	
ST65/52LST	Aluminum cast	10 bar	DN65/81mm	DN52	
ST65/65LST	Aluminum cast	10 bar	DN65/81mm	DN65	
ST75/75LST	Aluminum cast	10 bar	DN75(B)/89mm	DN75	
ST100/100LST	Aluminum cast	10 bar	DN100/115mm	DN100	
ST110/100LST	Aluminum cast	10 bar	DN110(A)/133mm	DN100	



Storz-Kupplung mit BSP Innengewinde (Industrie-Ausführung - gegossen) - NBR Dichtung

Storz coupling with female thread BSP - (Industrial) - NBR Gasket

Raccord Storz taraudé femelle BSP - Joint NBR

Acople Storz rosca hembra BSP - (fundido) - Junta NBR

Złącze strażackie STORZ z gwintem wewnętrznym BSP (wykonanie przemysłowe - odlewane) - NBR Uszczelka

Raccordo Storz, filettato femmina BSP - Guarnizione NBR



Part-No.	Material	WP	DN / KA	Thread	Price
ST25IG075	Aluminum cast	10 bar	DN25(D)/31mm	3/4"	
ST25IG100	Aluminum cast	10 bar	DN25(D)/31mm	1"	
ST38IG150	Aluminum cast	10 bar	DN38/51mm	1 1/2"	
ST52IG100	Aluminum cast	10 bar	DN52(C)/66mm	1"	
ST52IG125	Aluminum cast	10 bar	DN52(C)/66mm	1 1/4"	
ST52IG150	Aluminum cast	10 bar	DN52(C)/66mm	1 1/2"	
ST52IG200	Aluminum cast	10 bar	DN52(C)/66mm	2"	
ST75IG200	Aluminum cast	10 bar	DN75(B)/89mm	2"	
ST75IG250	Aluminum cast	10 bar	DN75(B)/89mm	2 1/2"	
ST75IG300	Aluminum cast	10 bar	DN75(B)/89mm	3"	
ST110IG400	Aluminum cast	10 bar	DN110(A)/133mm	4"	

Storz-Kupplung mit BSP Außengewinde (Industrie-Ausführung - gegossen) - NBR Dichtung

Storz coupling with male thread BSP - (Industrial) - NBR Gasket

Raccord Storz fileté mâle BSP - Joint NBR

Acople Storz rosca macho BSP - (fundido) - Junta NBR

Złącze strażackie STORZ z gwintem zewnętrznym BSP (wykonanie przemysłowe - odlewane) - NBR Uszczelka

Raccordo Storz filettato maschio BSP - Guarnizione NBR



Part-No.	Material	WP	DN / KA	Thread	Price
ST25AG075	Aluminum cast	10 bar	DN25(D)/31mm	3/4"	
ST25AG100	Aluminum cast	10 bar	DN25(D)/31mm	1"	
ST38AG150	Aluminum cast	10 bar	DN38/51mm	1 1/2"	
ST52AG100	Aluminum cast	10 bar	DN52(C)/66mm	1"	
ST52AG125	Aluminum cast	10 bar	DN52(C)/66mm	1 1/4"	
ST52AG150	Aluminum cast	10 bar	DN52(C)/66mm	1 1/2"	
ST52AG200	Aluminum cast	10 bar	DN52(C)/66mm	2"	
ST75AG200	Aluminum cast	10 bar	DN75(B)/89mm	2"	
ST75AG250	Aluminum cast	10 bar	DN75(B)/89mm	2 1/2"	
ST75AG300	Aluminum cast	10 bar	DN75(B)/89mm	3"	
ST110AG400	Aluminum cast	10 bar	DN110(A)/133mm	4"	

Storz-Blindkupplung mit Kette (Industrie-Ausführung - gegossen) - NBR Dichtung

Storz plug with chain - (Industrial) - NBR Gasket

Bouchon Storz avec chaînette - Joint NBR

Tapón Storz con cadena - (fundido) - Junta NBR

Złącze strażackie STORZ zaślepka z łańcuszkiem (wykonanie przemysłowe - odlewane) - NBR Uszczelka

Tappo storz con catterna - Guarnizione NBR

Part-No.	Material	WP	DN / KA	Price
ST25BK	Aluminum cast	10 bar	DN25(D)/31mm	
ST52BK	Aluminum cast	10 bar	DN52(C)/66mm	
ST65BK	Aluminum cast	10 bar	DN65/81mm	
ST75BK	Aluminum cast	10 bar	DN75(B)/89mm	
ST110BK	Aluminum cast	10 bar	DN110(A)/133mm	



Storz-Kupplung mit Reduzierung (Industrie-Ausführung - gegossen) - NBR Dichtung

Storz reducer fixed - (Industrial) - NBR Gasket

Réduction Storz fixe - Joint NBR

Reducción Storz - (fundido)- Junta NBR

Złącze strażackie STORZ redukcja (wykonanie przemysłowe - odlewane) - NBR Uszczelka

Riduzione Storz - Guarnizione NBR

Part-No.	Material	WP	DN / KA	DN / KA	Price
ST52/25RED	Aluminum cast	10 bar	DN52(C)/66mm	DN25(D)/31mm	
ST75/52RED	Aluminum cast	10 bar	DN75(B)/89mm	DN52(C)/66mm	
ST110/75RED	Aluminum cast	10 bar	DN110(A)/133mm	DN75(B)/89mm	



Storz-Kupplung mit langem Stutzen (Saug/Druck) mit Verriegelung - (Industrie-Ausführung - gegossen) - NBR Dichtung

Storz coupling with serrated hose shank with security lock - (Industrial) - NBR Gasket

Raccord Storz à douille annelée - Type Autolock en - Joint NBR

Acople Storz fundido con espiga para manguera con cierre de seguridad - Autolock - Junta NBR

Złącze strażackie STORZ z długą karbowaną końcówką do węża (ssawno/łoczna) z rączkami zabezpieczającymi - (wykonanie przemysłowe - odlewane) - NBR Uszczelka

Raccordo Storz portagomma - Autolock - Guarnizione NBR

Part-No.	Material	WP	DN / KA	Shank	Price
ST52/52LST-SL	Aluminum cast	10 bar	DN52(C)/66mm	DN52	
ST75/75LST-SL	Aluminum cast	10 bar	DN75(B)/89mm	DN75	
ST110/100LST-SL	Aluminum cast	10 bar	DN110(A)/133mm	DN100	



STORZ KUPPLUNGEN / STORZ COUPLINGS

Storz-Kupplung mit BSP Innengewinde mit Verriegelung (Industrie-Ausführung - gegossen) - NBR Dichtung

Storz coupling with female thread BSP with security lock - (Industrial) - NBR Gasket

Raccord Storz taraudé femelle BSP - Type Autolock en- Joint NBR

Acople Storz fundido rosca hembra BSP con cierre de seguridad - Autolock - Junta NBR

Złącze strażackie STORZ z gwintem wewnętrznym BSP z rączkami zabezpieczającymi (wykonanie przemysłowe - odlewane) - NBR Uszczelka

Raccordo Storz, filettato femmina BSP - Autolock - Guarnizione NBR

Part-No.	Material	WP	DN / KA	Thread	Price
ST52IG200-SL	Aluminum cast	10 bar	DN52(C)/66mm	2"	
ST75IG300-SL	Aluminum cast	10 bar	DN75(B)/89mm	3"	
ST110IG400-SL	Aluminum cast	10 bar	DN110(A)/133mm	4"	



Storz-Blindkupplung mit Kette (Industrie-Ausführung - gegossen) - NBR Dichtung

Storz plug with chain - (Industrial) - NBR Gasket

Bouchon Storz avec chaînette - Joint NBR

Tapón Storz fundido con cadena y cierre de seguridad - Autolock - Junta NBR

Złącze strażackie STORZ zaślepka z łańcuszkiem (wykonanie przemysłowe - odlewane) - NBR Uszczelka

Raccordo Storz. Tappo con catena - Autolock - Guarnizione NBR

Part-No.	Material	WP	DN / KA	Price
ST52BK-SL	Aluminum cast	10 bar	DN52(C)/66mm	
ST75BK-SL	Aluminum cast	10 bar	DN75(B)/89mm	
ST110BK-SL	Aluminum cast	10 bar	DN110(A)/133mm	



90° Bogen AG/AG BSPP flachdichtend

90° Elbow male BSPP thread - flat sealing

Codo 90° RM-RM BSPP

90° Machón doble BSPP

90° Lolanoz gwintami zewnętrznymi cylindrycznymi

Curva 90° maschio - maschio BSP

Part-No.	Material	WP	Thread1	Thread2	Price
MMA2020FL-90	Aluminum	10 bar	2"	2"	
MMA3030FL-90	Aluminum	10 bar	3"	3"	
MMA4040FL-90	Aluminum	10 bar	4"	4"	



Reduzierung IG/IG - mit kurzem Gewinde

Reduction female BSPP thread - with short thread

Réduction double femelle/femelle - avec filetage court

Reducción rosca hembra BSPP - con rosca corta

Redukcja z gwintami - z krótkim gwintem

Riduzione filettato femmina BSPP - con filo corto

Part-No.	Material	WP	Thread1	Thread2	Price
FFA2015	Aluminum	16 bar	2"	1 1/2"	
FFA2515	Aluminum	16 bar	2 1/2"	1 1/2"	
FFA2520	Aluminum	16 bar	2 1/2"	2"	
FFA3015	Aluminum	16 bar	3"	1 1/2"	
FFA3020	Aluminum	16 bar	3"	2"	
FFA3025	Aluminum	16 bar	3"	2 1/2"	
FFA4015	Aluminum	16 bar	4"	1 1/2"	
FFA4020	Aluminum	16 bar	4"	2"	
FFA4025	Aluminum	16 bar	4"	2 1/2"	
FFA4030	Aluminum	16 bar	4"	3"	



STORZ KUPPLUNGEN / STORZ COUPLINGS

Storz-Kupplung mit langem Stutzen (Saug/Druck) - FKM Dichtung

Storz coupling with serrated hose shank - FKM Gasket

Raccord Storz à douille annelée - Joint FKM

Acople Storz con espiga para manguera - Junta FKM

Złącze stażackie STORZ z długą karbowaną końcówką do węża (ssawno/łoczna) - FKM Uszczelka

Raccordo Storz portagomma - Guarnizione FKM



Part-No.	Material	WP	DN / KA	Shank	Price
ST25/25LSTSS	SS AISI 316	25 bar	DN25(D)/31mm	DN25	
ST52/52LSTSS	SS AISI 316	25 bar	DN52(C)/66mm	DN52	
ST75/75LSTSS	SS AISI 316	25 bar	DN75(B)/89mm	DN75	

Storz-Kupplung mit Sägezahnprofilstutzen für Klemmschaleneinband - FKM Dichtung

Storz coupling with serrated hose shank for safety clamps - FKM Gasket

Raccord Storz à douille annelée - Joint FKM

Acople Storz con espiga dentada para abrazaderas de seguridad - Junta FKM

Złącze stażackie STORZ z karbowaną końcówką do węża pod obejmę skorupową - FKM Uszczelka

Raccordo Storz portagomma - Guarnizione FKM



Part-No.	Material	WP	DN / KA	Shank	Price
ST52/52LSTSS-SZ	SS AISI 316	25 bar	DN52(C)/66mm	DN50	
ST75/75LSTSS-SZ	SS AISI 316	25 bar	DN75(B)/89mm	DN75	

Storz-Kupplung mit BSP Innengewinde - FKM Dichtung

Storz coupling with female thread BSP - FKM Gasket

Raccord Storz taraudé femelle BSP - Joint FKM

Acople Storz con rosca hembra BSP - Junta FKM

Złącze stażackie STORZ z gwintem wewnętrznym BSP - FKM Uszczelka

Raccordo Storz, filettato femmina BSP - Guarnizione FKM



Part-No.	Material	WP	DN / KA	Thread	Price
ST25IG100SS	SS AISI 316	25 bar	DN25(D)/31mm	1"	
ST52IG200SS	SS AISI 316	25 bar	DN52(C)/66mm	2"	
ST65IG250SS	SS AISI 316	25 bar	DN65/81mm	2 1/2"	
ST75IG300SS	SS AISI 316	25 bar	DN75(B)/89mm	3"	

Storz-Kupplung mit BSP Außengewinde - FKM Dichtung

Storz coupling with male thread BSP - FKM Gasket

Raccord Storz fileté mâle BSP - Joint FKM

Acople Storz con rosca macho BSP - Junta FKM

Złącze strażackie STORZ z gwintem zewnętrznym BSP (wykonanie przemysłowe - odlewane) - FKM Uszczelka

Raccordo Storz filettato maschio BSP - Guarnizione FKM

Part-No.	Material	WP	DN / KA	Thread	Price
ST25AG100SS	SS AISI 316	25 bar	DN25(D)/31mm	1"	
ST52AG200SS	SS AISI 316	25 bar	DN52(C)/66mm	2"	
ST75AG300SS	SS AISI 316	25 bar	DN75(B)/89mm	3"	



Storz-Blindkupplung mit Kette - FKM Dichtung

Storz plug with chain - FKM Gasket

Bouchon Storz avec chaînette - Joint FKM

Tapón Storz con cadena - Junta FKM

Złącze strażackie STORZ zaślepka z łańcuszkiem - FKM Uszczelka

Raccordo Storz. Tappo con catena - Guarnizione FKM

Part-No.	Material	WP	DN / KA	Price
ST25BKSS	SS AISI 316	25 bar	DN25(D)/31mm	
ST52BKSS	SS AISI 316	25 bar	DN52(C)/66mm	
ST75BKSS	SS AISI 316	25 bar	DN75(B)/89mm	



90° Bogen AG/AG BSPP flachdichtend

90° Elbow male BSPP thread - flat sealing

90° Coude mâle/mâle à joint plat

Codo 90° RM-RM BSPP

90° Lolanoz gwintami zewnętrznymi cylindrycznymi

Curva 90° maschio - maschio BSPP

Part-No.	Material	WP	Thread1	Thread2	Price
MMS075075FL-90	SS AISI 316	16 bar	3/4"	3/4"	
MMS1010FL-90	SS AISI 316	16 bar	1"	1"	
MMS1212FL-90	SS AISI 316	16 bar	1 1/4"	1 1/4"	
MMS1515FL-90	SS AISI 316	16 bar	1 1/2"	1 1/2"	
MMS2020FL-90	SS AISI 316	16 bar	2"	2"	
MMS3030FL-90	SS AISI 316	16 bar	3"	3"	
MMS4040FL-90	SS AISI 316	16 bar	4"	4"	



Storz-Kupplung mit langem Stutzen (Saug/Druck) - NBR Dichtung

Storz coupling with serrated hose shank - NBR Gasket

Raccord Storz à douille annelée - Joint NBR

Acople Storz con espiga para manguera - Junta NBR

Złącze strażackie STORZ z długą karbowaną końcówką do węży (ssawno/łoczna) - NBR Uszczelka

Raccordo Storz portagomma - Guarnizione NBR



Part-No.	Material	WP	DN / KA	Shank	Price
ST52/52LSTBR	Brass	25 bar	DN52(C)/66mm	DN52	
ST75/75LSTBR	Brass	25 bar	DN75(B)/89mm	DN75	

Storz-Kupplung mit BSP Innengewinde - NBR Dichtung

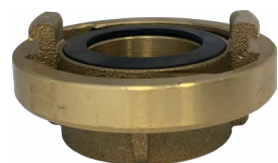
Storz coupling with female thread BSP - NBR Gasket

Raccord Storz taraudé femelle BSP - Joint NBR

Acople Storz con rosca hembra BSP - Junta NBR

Złącze strażackie STORZ z gwintem wewnętrznym BSP - NBR Uszczelka

Raccordo Storz, filettato femmina BSP - Guarnizione NBR



Part-No.	Material	WP	DN / KA	Thread	Price
ST52IG200BR	Brass	25 bar	DN52(C)/66mm	2"	
ST75IG300BR	Brass	25 bar	DN75(B)/89mm	3"	

Storz-Kupplung mit BSP Außengewinde - NBR Dichtung

Storz coupling with male thread BSP - NBR Gasket

Raccord Storz fileté mâle BSP - Joint NBR

Acople Storz con rosca macho BSP - Junta NBR

Złącze strażackie STORZ z gwintem zewnętrznym BSP - NBR Uszczelka

Raccordo Storz filettato maschio BSP - Guarnizione NBR



Part-No.	Material	WP	DN / KA	Thread	Price
ST52AG200BR	Brass	25 bar	DN52(C)/66mm	2"	
ST75AG300BR	Brass	25 bar	DN75(B)/89mm	3"	

Storz-Blindkupplung mit Kette - NBR Dichtung

Storz plug with chain - NBR Gasket

Bouchon Storz avec chaînette - Joint NBR

Tapón Storz con cadena - Junta NBR

Złącze strażackie STORZ zaślepka z łańcuszkiem - NBR Uszczelka

Raccordo Storz. Tappo con catena - Guarnizione NBR



Part-No.	Material	WP	DN / KA	Price
ST52BKBR	Brass	25 bar	DN52(C)/66mm	
ST75BKBR	Brass	25 bar	DN75(B)/89mm	

C-N Strahlrohr mit Storz C-Kupplung

Strahlrohr mit 2" Storz C-Kupplung, Rohrstück, Düse und Mundstück aus Polyamid. Mundstückbohrung 9mm, Gesamtlänge 410mm. Ähnlich zu DIN14365

C-Branchpipe

Double position Branchpipe Jet / Spray with Storz couplings 2" 9mm/410AL/Poly Red

C-Branchpipe

Double position Branchpipe Jet / arroseur avec Storz couplings 2" 9mm/410AL/Poly Red

Lanza alemana 3 efectos con acople Storz

Lanza alemana de doble posición/ rociador con acople Storz de 2" 9mm/410AL /Poliéster Rojo

Rura stalowa 52-C złącze STORZ

Rura stalowa z 2" Złącze Storz 52-C, Rura, dysza i usłnik wykonane z poliamidu. Dysza 9 mm, całkowita długość 410 mm

Lancia tedesca 3 effetti con accoppiamento Storz

Lancia / spruzzatore tedesco doppia posizione con innesto Storz da 2" 9mm / 410AL / poliestere rosso



Part-No.	Colour	DN	Price
ST52STRAHLROHR	Red	DN52 (C)	

Storz Spannschlüssel

Storz spanner

Clé Storz

Llave fija para Storz

STORZ Klucz montażowy

Chiave fissa per Storz



Part-No.	Material	DN	Price
SS	Steel with plastic handle	A/B/C	
SS3	Steel	B/C	

Schauglas mit beidseitigem BSPP Außengewinde, Material PC

Sight glass with both sides BSPP male thread, material PC

d'affichage avec filetage BSPP mâle des deux côtés, matériau PC

Tubo trasparente rosca macho BSPP en ambos lados, policarbonato

Wziernik z gwintem zewnętrznym BSPP po obu stronach, materiał PC

Vetrino con filetto maschio BSPP su entrambi i lati, materiale PC



NEW	Part-No.	Material	WP	Thread	Thread	Length	Price
	SGBSPM200	Polycarbonate	10 bar	2"	2"	200mm	
	SGBSPM300	Polycarbonate	10 bar	3"	3"	200mm	
	SGBSPM400	Polycarbonate	10 bar	4"	4"	200mm	

STORZ KUPPLUNGEN / STORZ COUPLINGS

Ersatzdichtung für Storz-Kupplung

Storz gasket

Joints pour raccord Storz

Junta para Storz

Uszczelki do Storz

Guarnizione per Storz



-O* ausschließlich Druck

-O* only for delivery



Part-No.	Colour	Material	DN	Price
STJ31	Black	NBR	DN25(D)	
STJ44	Black	NBR	DN32	
STJ52	Black	NBR	DN38	
STJ66	Black	NBR	DN52(C)	
STJ81	Black	NBR	DN65	
STJ89	Black	NBR	DN75(B)	
STJ115	Black	NBR	DN100	
STJ133	Black	NBR	DN110(A)	
STJ31B	White	NBR	DN25 (D)	
STJ44B	White	NBR	DN32	
STJ44B-O*	White	NBR	DN32	
STJ52B	White	NBR	DN38	
STJ66B	White	NBR	DN52(C)	
STJ66B-O*	White	NBR	DN52(C)	
STJ81B	White	NBR	DN65	
STJ89B	White	NBR	DN75(B)	
STJ89B-O*	White	NBR	DN75(B)	
STJ133B	White	NBR	DN110(A)	
STJ148B	White	NBR	DN125	
STJ148B-O*	White	NBR	DN125	
STJ31V	Black	FKM	DN25(D)	
STJ31V-G	Green	FKM	DN25(D)	
STJ66V	Black	FKM	DN52(C)	
STJ89V	Black	FKM	DN75(B)	
STJ133V	Black	FKM	DN110(A)	
STJ66S-FDA	Transparent	Silicone -FDA	DN52(C)	
STJ89S-FDA	Transparent	Silicone -FDA	DN75(B)	
STJ133S-FDA	Transparent	Silicone -FDA	DN110(A)	